

**APPLICATION FORM**

3-Day Workshop on  
**Product Design and Development**  
(July 12-14, 2018)

Name:

Class / Section:

Gender:

Registration fee:      Rs. 500/-

E-mail:

Mobile No:

Signature of Applicant

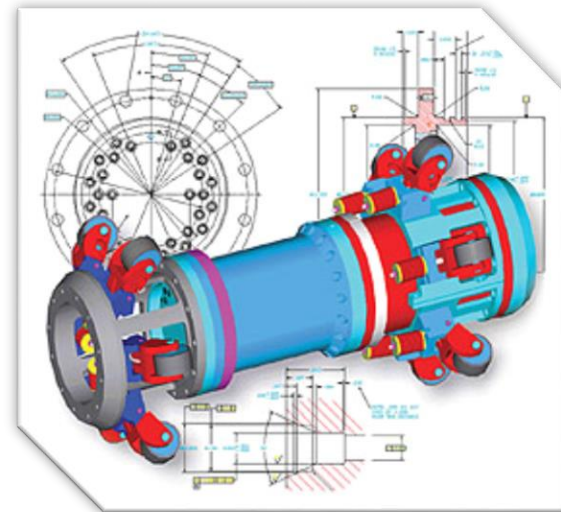
**Forwarding authority (AMC)**

Name:

Designation:

Signature with Seal

**3-day Workshop**  
on  
**Product Design and  
Development**  
(July 12<sup>th</sup> – 14<sup>th</sup> , 2018)



Organized by  
**Department of Mechanical Engineering**  
GITAM Institute of Technology  
GITAM (Deemed to be University)  
Visakhapatnam

### ABOUT THE DEPARTMENT

Established in the year 1980, The Department of Mechanical Engineering offers an UG program, two PG programs and a Ph. D program as well. The department has experienced faculty and well-established laboratories. The Department has liaison with reputed industries and R&D organizations like DRDO, NSTL, and HPCL etc. Presently the department is handling several R & D projects and consultancy works. The Department focuses on guiding the students towards discipline and responsibility, thus aiding in the development of model citizens for the society. The Institute has a strong alumni base that who are occupying leadership positions in government, administration, industry and research organizations across the globe. The Institute has been giving top priority to establish and strengthen a network of alumni, associating them in the academic activities particularly in curriculum design and campus placements.

### ABOUT GITAM INSTITUTE OF TECHNOLOGY

GITAM Institute of Technology (GIT) was established in the year 1980. Over the years the Institute made a niche in engineering education at the all India level as certified by various bodies over a period of time. With a complement of highly qualified teachers, skilled technical staff, state-of-the-art laboratories and learning resources, GIT is globally recognized as a premier institute in technology and engineering. Many faculty members have made significant contributions both at the National and International levels. The faculties are active in research, have published a good number of research papers with high impact factor, and undertook several research projects funded by UGC, DST, DBT, FST, HPCL, DRDO, etc. The Institute has successfully completed a good number of consultancy assignments in government, public and private sector organizations, such as Visakhapatnam Port Trust, Steel Plant, HPCL, etc

### ABOUT PRODUCT DESIGN AND DEVELOPMENT

Engineers will come to the know about the important skills required for the industries such as DFMA, GDT, Mold Design, Creo2 3D CAD software and other Advance manufacturing processes that are used in the industry. This workshop will give the directions to the students to focus and spend energies on the right skills that are useful to the industry

so that they can be successfully in getting jobs as well as very successfully in their career. This workshop is the bridge between the Industry and Technical universities. The product Design concepts will have an internal and consistent logic that reflects a deep understanding of the problem and solution areas explored.

### RESOURCE PERSONS

*Dr.Trivikrama Bhanojireddy Pala*, working as Staff Engineer–R&D in Becton Dickinson, New Jersey and Adjunct Professor in New Jersey Institute of Technology, USA

### WHO SHOULD ATTEND

All the mechanical UG, PG students of Machine design and CAD/CAM, research scholars and faculty who have interested/research in the field of design and development. Application should be made on the registration form.

### REGISTRATION

Participants must be registered with the nominal fees of Rs. 500/. Application should be made on the registration form.

### ORGANISING COMMITTEE

Dr. B.S.N. Murthy	Sri D. Nagaraju
Dr. D. Siva Prasad	Sri J. Simhadri Raju
Dr. B.S. Prasad	Sri P. Gandhi
Sri J. Uma Maheswara Rao	Sri K. Vijaya Kumar
Dr. M. Ramamohana Rao	Sri K. Narendra Kumar
Dr. M. Rajasekhar	Sri T. Rakesh Kumar
Sri K. Sankara Narayana	Sri A. Ravindra

#### CONVENER:

**Prof. M.R.S. Satyanarayana**  
Head of the Department

#### CO-CONVENER

<b>Sri R. Bhanu Pavan</b>	<b>Sri Ch. Kodanda Rama Rao</b>
Asst.. Professor	Asst. Professor

**Contact No.:** 9246661030; **email:** hod\_mech@gitam.edu